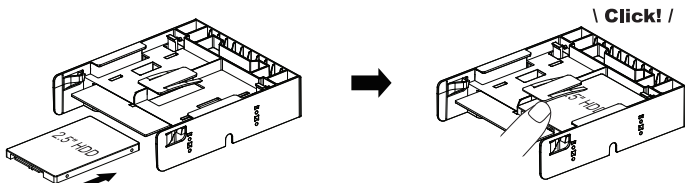


4

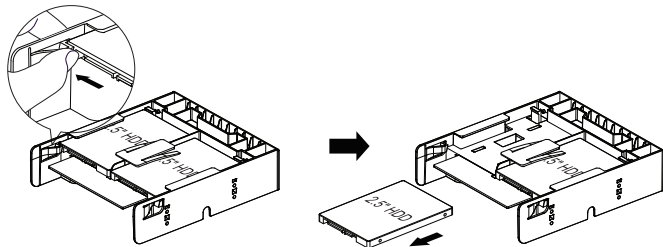
## 2.5" HDD/SSD Installation • Installation einer 2,5" HDD/SSD

- Installation du disque dur/SSD 2.5"
- Instalación de unidad de disco duro o unidad de estado sólido de 2,5"
- 2.5" HDD/SSD取付手順 • 2.5吋硬碟安裝步驟 • 2.5吋硬盤安裝步驟

4-1. when installing 2.5" HDD/SSD - Insert the SSD/HDD until a click sound is audible to indicate the drive is secured, and then install the FLEX-FIT TRIO on to the computer case.



4-2. when ejecting 2.5" HDD/SSD - Remove the FLEX-FIT TRIO from the computer case, and then eject the SSD/HDD by pressing the ejection button shown above in a pinch like motion.



## NOTE • HINWEIS • Remarques • NOTA • お知らせ • 注釋 • 备注:

ICY DOCK will not be liable for any software, hardware, or data stored within or interfacing with ICY DOCK products which results in damage or malfunction. ICY DOCK will only be responsible for repairs and services of ICY DOCK products.

Für den Verlust von auf unseren Produkten oder mit Hilfe unserer Produkte gespeicherten Daten oder Schäden durch jegliche Software oder Hardware die mit unseren Produkten verbunden ist, ist ICY DOCK nicht verantwortlich. ICY DOCK übernimmt nur für die Reparatur von und Dienstleistungen für ICY DOCK Produkte Verantwortung.

La responsabilité de ICY DOCK ne pourra être engagée que pour le dysfonctionnement de ses propres produits.

ICY DOCK no asumirá ninguna responsabilidad por ningún software, hardware o dato o almacenado dentro de los productos ICY DOCK o que interactúan con estos que dé lugar daños o errores. ICY DOCK solamente se hará responsable de las reparaciones y servicios de los productos ICY DOCK.

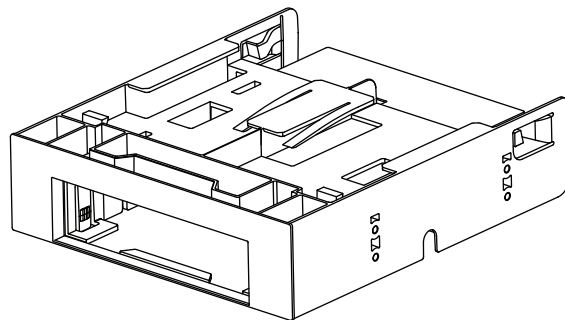
本商品の誤った使用方法によって他の機器に故障などが発生した場合、弊社は本商品だけを修理する責任を負います。他の機器の損害に対しては一切の責任を負いません。

如因不當使用本產品進而造成其他相關設備之故障，本公司僅負擔自屬產品之修繕責任，造成其他設備毀損概不負責。

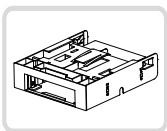
如因不当使用本产品进而造成其它相关设备之故障，本公司仅负担自属产品之保修责任，造成其它设备毁损概不負責。

# ICY DOCK®

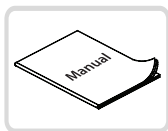
## 3.5" to 5.25" Front Bay Converter Kit with Additional 2 x 2.5" SSD/Hard drive Bay FLEX-FIT TRIO MB343SP



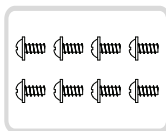
# 1 Package Contents • Packungsinhalt • Contenu • Contenido del paquete • 包装について • 包装説明 • 包装说明



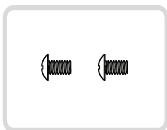
MB343SP Device



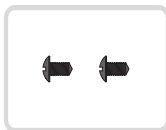
Quick Installation Guide



3\*6 Screw x 8 for Device



#6-32\*6 Screw x 2 for 3.5" HDD

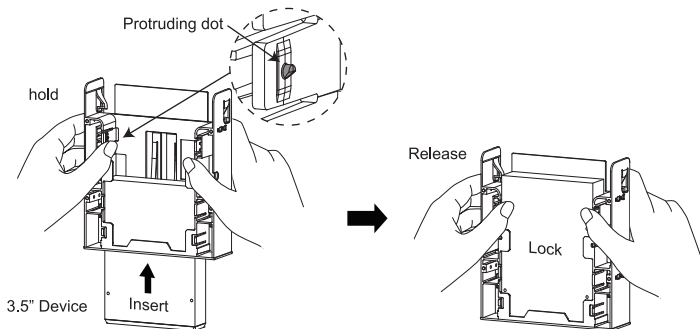


M3\*6 Black Screw x 2 for 3.5" Floppy Device

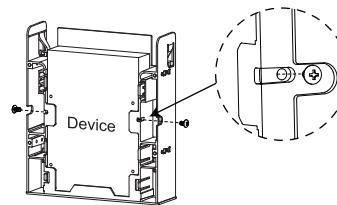
# 2 3.5" Device Installation • Installation eines 3,5" Gerätes • Installation du dispositif 3,5" • Instalación del dispositivo de 3,5" • 3.5" デバイス取付手順 • 3.5吋装置安裝步驟 • 3.5寸设备安装步骤

Note: 2.5", 3.5" HDD & device must be installed before mounting the FLEX-FIT TRIO on to the computer case.

By using both thumbs, press against the locking mechanism with a protruding dot, as shown in the picture. Next, keep the pressure on your thumbs while sliding the 3.5" device in. **Before release your thumbs, make sure the protruding dot fits into the third screw holes on the sides of the device, as shown in the picture.**

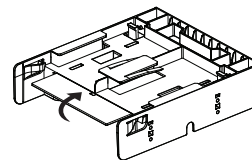


(Optional) Two black M3\*6 screws can be installed into the middle screw holes located on both sides of the device for extra stability, as shown in the picture.

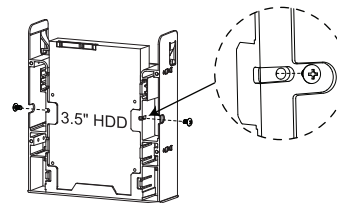


# 3 3.5" HDD Installation • Installation einer 3,5" HDD • Installation du disquedur 3,5" • Instalación de unidad de disco duro de 3,5" • 3.5" HDD取付手順 • 3.5吋硬碟安裝步驟 • 3.5寸硬盘安裝步骤

3-1. Break off the dust panel from the back and set it aside, as shown on the picture.



3-2. When installing 3.5" HDD, the locking mechanism cannot be used. Please use the #6-32\*6 screws to mount the HDD, as shown in the picture.



3-3. When installing 3.5" HDD or no device is installed, insert the dust panel into the opening slot at the front for protection from dust and for aesthetic purpose, as shown in the picture.

